

PLHP10-25

1,000 - 2,500kg

Premium Line hand pallet truck Special sizes



- One piece casted pump
- High quality steel frame
- Polyurethane, nylon or rubber wheels

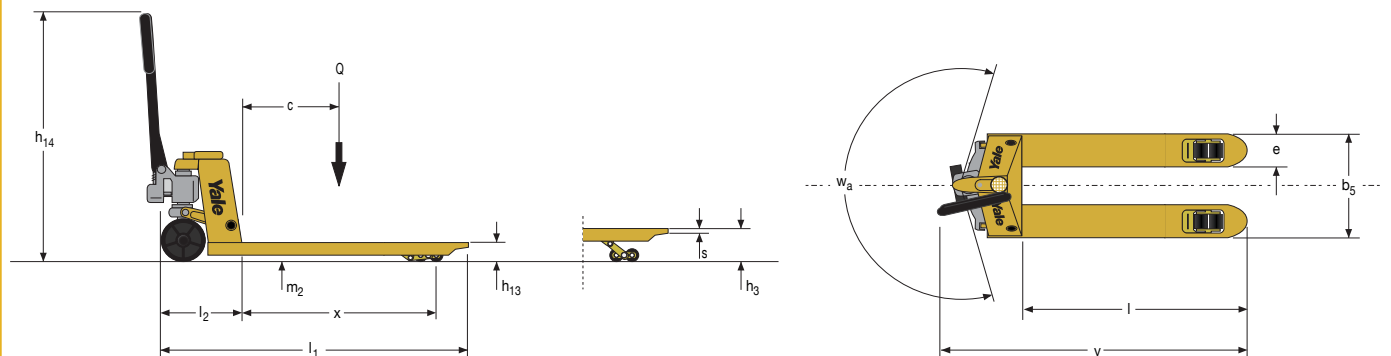
PLHP10-25 - VDI 2198 - General Specifications

Distinguishing mark	1,1	Manufacturer (abbreviation)	Yale	1.1	Distinguishing mark	
	1,2	Manufacturer's type designation	PLHP10-25	1.2		
	1,3	Drive: electric (battery or mains), diesel, petrol, fuel gas	Manual	1.3		
	1,4	Operator type: hand, pedestrian, standing, seated, order-picker	Manual + tiller	1.4		
	1,5	Rated capacity/rated load	Q (t)	1,0 - 2,5		1.5
	1,6	Load centre distance	c (mm)	Variable		1.6
	1,8	Load distance, centre of drive axle to fork	x (mm)	Variable		1.8
	1,9	Wheelbase	y (mm)	Variable		1.9
	Weights	2,1	Service weight	kg		60
2,2		Axle loading, laden front/rear	kg	600 / 1428		
2,3		Axle loading, unladen front/rear	kg	39 / 21		
Tyres/chassis	3,1	Tyres front / rear: PU=Polyurethane, NY=Nylon, RU=Rubber		RU PU NY	Tyres/chassis	
	3,2	Tyre size, front	mm	200x50		
	3,3	Tyre size, rear	mm	80x93 80x70		
	3,5	Wheels, number front/rear		2/2 / 2/4		
	3,6	Track width, front		180		
	3,7	Track width, rear		435		
	Dimensions	4,4	Lift	h3 (mm)		195
4,9		Height of tiller arm in working position	mm	1214		
4,15		Lowered height	mm	85		
4,19		Overall length	l1 (mm)	Variable		
4,20		Length to face of forks	l2 (mm)	410		
4,21		Overall width	b5 (mm)	520 685		
4,22		Fork dimensions DIN ISO 2331	s / e / l (mm)	See part nr. overview		
4,25		Distance between fork-arms min max	b5 (mm)	520 685		
4,32		Ground clearance, centre of wheelbase	m2 (mm)	32		
4,35		Turning radius	Wa (mm)	Variable		

All values are nominal values and they are subject to tolerances. For further information, please contact the manufacturer. Yale products might be subject to change without notice.

Lift trucks illustrated may feature optional equipment. Values may vary with alternative configurations.

Truck Dimensions



Part number overview

Part number	Capacity (kg)	Width (mm)	Length (mm)	Steer wheel material	Load wheels type	Load wheels material
550211910	2500	520	800	PU	Single	PU
550211911	2500	520	950	PU	Single	PU
550211912	2000	520	1500	PU	Double	PU
550211913	1500	520	2000	PU	Double	PU
550211914	1000	520	2500	PU	Double	PU
550211915	2500	685	1000	Rubber	Double	PU
550211916	2500	685	1150	PU	Single	PU
550211917	2500	685	1150	PU	Double	PU
550211918	2500	685	1150	Nylon	Double	Nylon



Product features

- Premium Line pump**
 One piece casted pump.
 With overload valve to prevent overloading.
- Rollers**
Single: lowest friction and turning radius.
 Perfect for smooth floors and normal pallet entry.
Double: even load distribution resulting in smooth ride and easy pallet entry from the side.
- Frame**
 High quality steel frame with rounded fork tips and entry rollers for easy pallet entry.
- Wheels**
Nylon: the hardest material that Yale supplies, resulting in low friction and wear, but higher noise. Suited for smooth and hard floors.
PU: non-marking and more damping and grip compared to nylon. Suitable for rougher surfaces. Good all-rounder.
Rubber: very quiet and highest grip level. Suitable for uneven, rough and/or slippery surfaces such as trailer tail gates. Higher wear and roller resistance.
- Warranty**
 12 months.

PLHP10-25

Check our full range of manual hand pallet trucks and stackers

PLHP20 Stainless Steel



HDHP25 Heavy Duty



PLHP20 Brake



PLHP20 Galvanised



PLHP15 Low Profile



1100/1200 Weigh scale



PLHP10 Manual Scissor Lift



EMS10-16 Manual Stacker



Yale Europe Materials Handling

Aftermarket Marketing
Scheepvaartweg 8-10
6541 CV Nijmegen
The Netherlands
Tel: +31 (0) 24 3742 444

www.yale-forklifts.eu



©2019. All rights reserved. YALE, the Lift Truck Icon and PEOPLE. PRODUCTS. PRODUCTIVITY., are trademarks, service marks or registered marks in the United States and certain other jurisdictions. The Lift Truck Icon is also protected by copyright.